

TABLE TENNIS TABLE

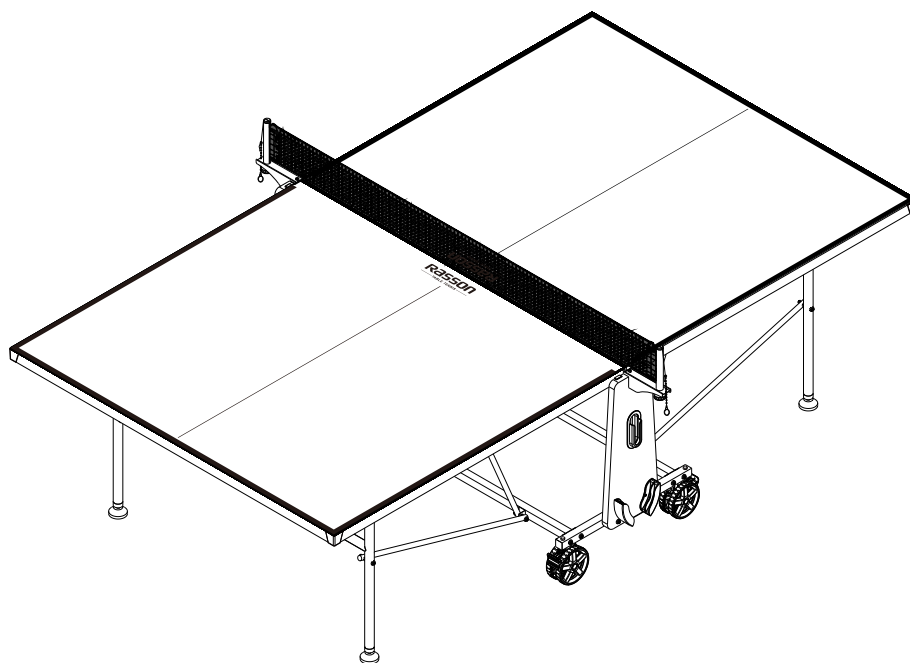


TABLE TENNIS TABLE ASSEMBLY INSTRUCTIONS

TABLE TENNIS TABLE HARDWARE



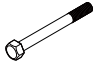

















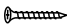


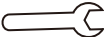
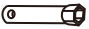


| PACKAGE | ITEM# | SAMPLE | DESCRIPTION | QTY. |
|---------|-------|---|--|------|
| | H1 |  | HEX HEAD CROSS BOLT 1/4" X 2"(M6X50mm) | 8 |
| | H2 |  | SKID NUT 1/4" I.D. | 8 |
| | H3 |  | HEX HEAD BOLT 1/2" X 6"(M12X150mm) | 4 |
| | H4 |  | SKID NUT 1/2" I.D. | 4 |
| | H5 |  | HEX HEAD CROSS BOLT 1/4" X 2-3/4"(M6X70mm) | 4 |
| | H6 |  | FLAT WASHER 1/4" I.D. | 4 |
| | H7 |  | SKID NUT 1/4" I.D. | 4 |
| | H8 |  | HEX HEAD CROSS BOLT 1/4" X 2-3/4"(M6X70mm) | 4 |
| | H9 |  | FLAT WASHER 1/4" I.D. | 4 |
| | H10 |  | NYLON WASHER 1/4" I.D. | 8 |
| | H11 |  | SKID NUT 1/4" I.D. | 4 |
| | H12 |  | HEX HEAD CROSS BOLT 1/4" X 2"(M6X50mm) | 4 |
| | H13 |  | NYLON BUSHINGS 1/4" I.D. | 8 |
| | H14 |  | SKID NUT 1/4" I.D. | 4 |
| | H15 |  | HEX HEAD CROSS BOLT 1/4" X 1-9/16"(M6X40mm) | 4 |
| | H16 |  | HEX HEAD CROSS BOLT 1/4" X 2-3/4"(M6X70mm) | 4 |
| | H17 |  | FLAT WASHER 1/4" I.D. | 8 |
| | H18 |  | NYLON WASHER 1/4" I.D. | 8 |

TABLE TENNIS TABLE HARDWARE

| PACKAGE | ITEM# | SAMPLE | DESCRIPTION | QTY. |
|---------|-------|---|---|------|
| | H19 |  | SKID NUT 1/4" I.D. | 8 |
| | H20 |  | HEX HEAD CROSS BOLT 1/4" X 11/16"(M6X17mm) | 4 |
| | H21 |  | FLAT HEADED SCREW 1/8" X 5/8"(M3X15mm) | 8 |
| | H22 |  | BEARING 1/2" I.D. | 8 |
| | | | | |
| TOOLS | T1 |  | 1/4"(M6) | 1 |
| | T2 |  | 1/4"(M6) | 1 |
| | T3 |  | 1/2"(M12) | 1 |
| | T4 |  | 1/2"(M12) | 1 |
| | T5 |  | 1/8"(M3) | 1 |

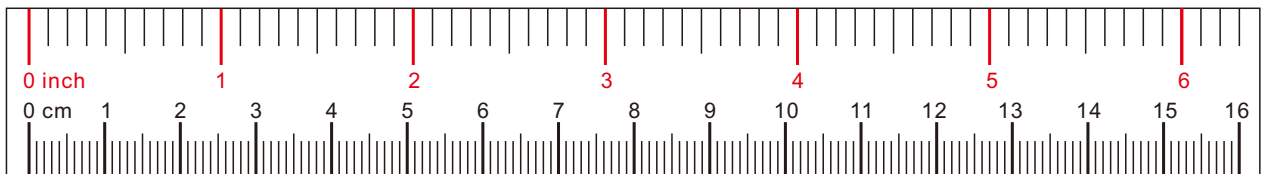


TABLE TENNIS TABLE COMPONENT PARTS


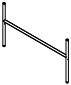
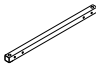
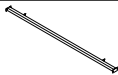
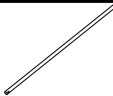



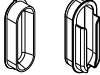

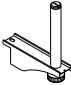
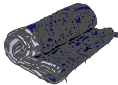







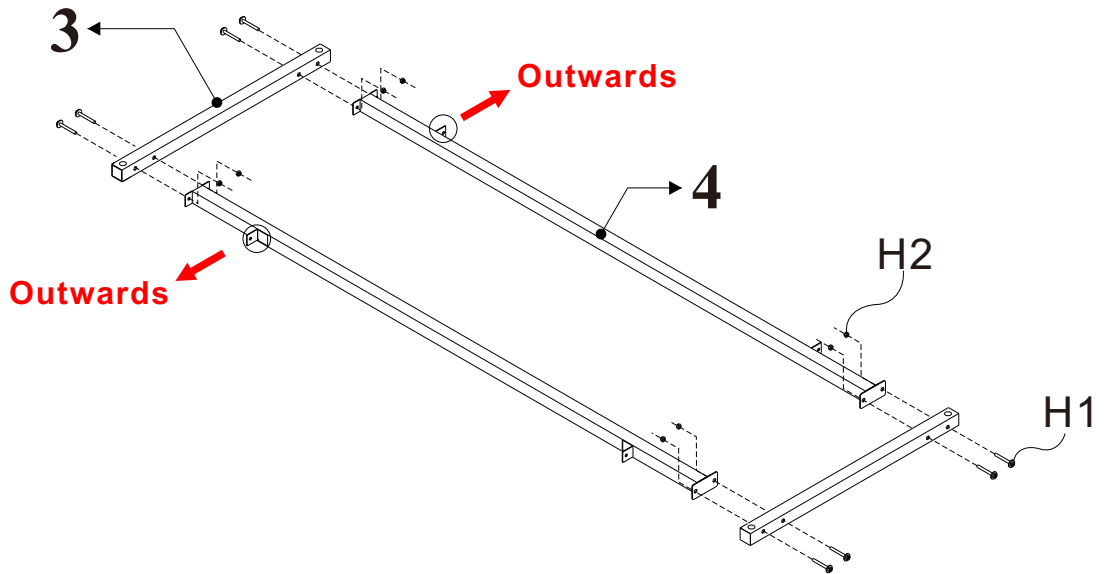
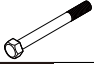


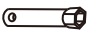

| PACKAGE | ITEM# | SAMPLE | DESCRIPTION | QTY. |
|---------|-------|---|---------------|------|
| | 1 |  | WHEEL | 4 |
| | 2 |  | END LEG | 2 |
| | 3 |  | BASE FRAME | 2 |
| | 4 |  | BASE BEAM | 2 |
| | 5 |  | LONG STRUT | 4 |
| | 6 |  | SHORT STRUT | 4 |
| | 7 |  | TABLE TOP | 2 |
| | 8 |  | UNDERCARRIAGE | 2 |
| | 9 |  | BALLS CLAMP | 2 |
| | 10 |  | BATS CLAMP | 4 |
| | 11 |  | CLIP | 2 |
| | 12 |  | NET | 1 |
| | 13 |  | LEG PAD | 4 |
| | 14 |  | PLASTIC PLUG | 4 |
| | | | | |
| | | | | |
| | | | | |

FIG.1

| | | | | | |
|--|---|-------|---|----------|-------|
|  | 1/4"x2" | 8 PCS |  | 1/4" ID. | 8 PCS |
| T1  | T2/T5  | |  | | |

**FIG.2**

| | | | | | | | | |
|--|--|-------|---|----------|-------|--|----------|-------|
|  | 1/2"x6" | 4 PCS |  | 1/2" ID. | 8 PCS |  | 1/2" ID. | 4 PCS |
| T3  | T4  | | | | | | | |

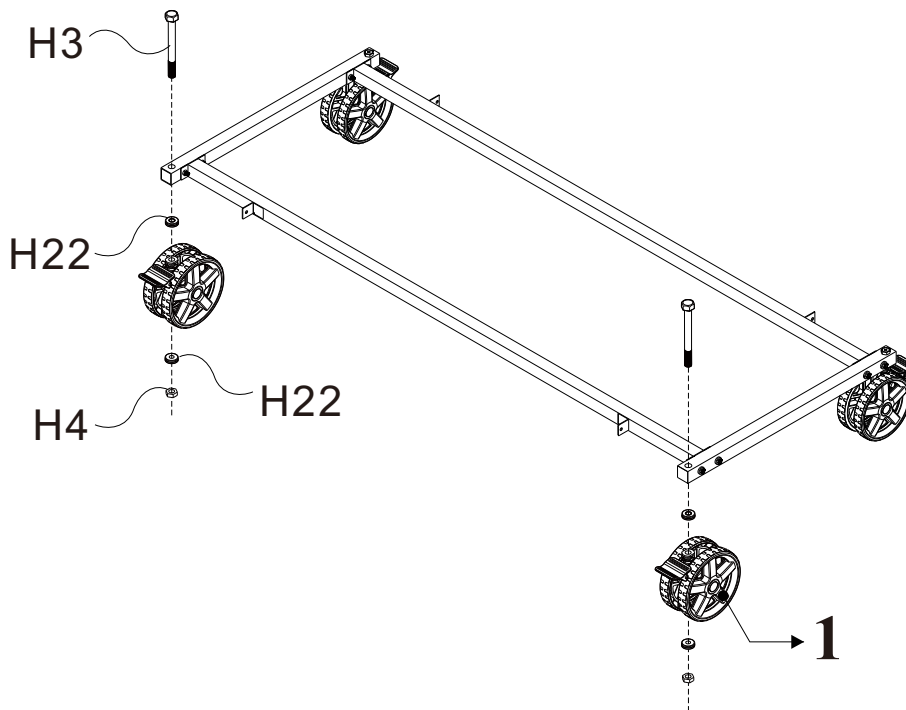


FIG3

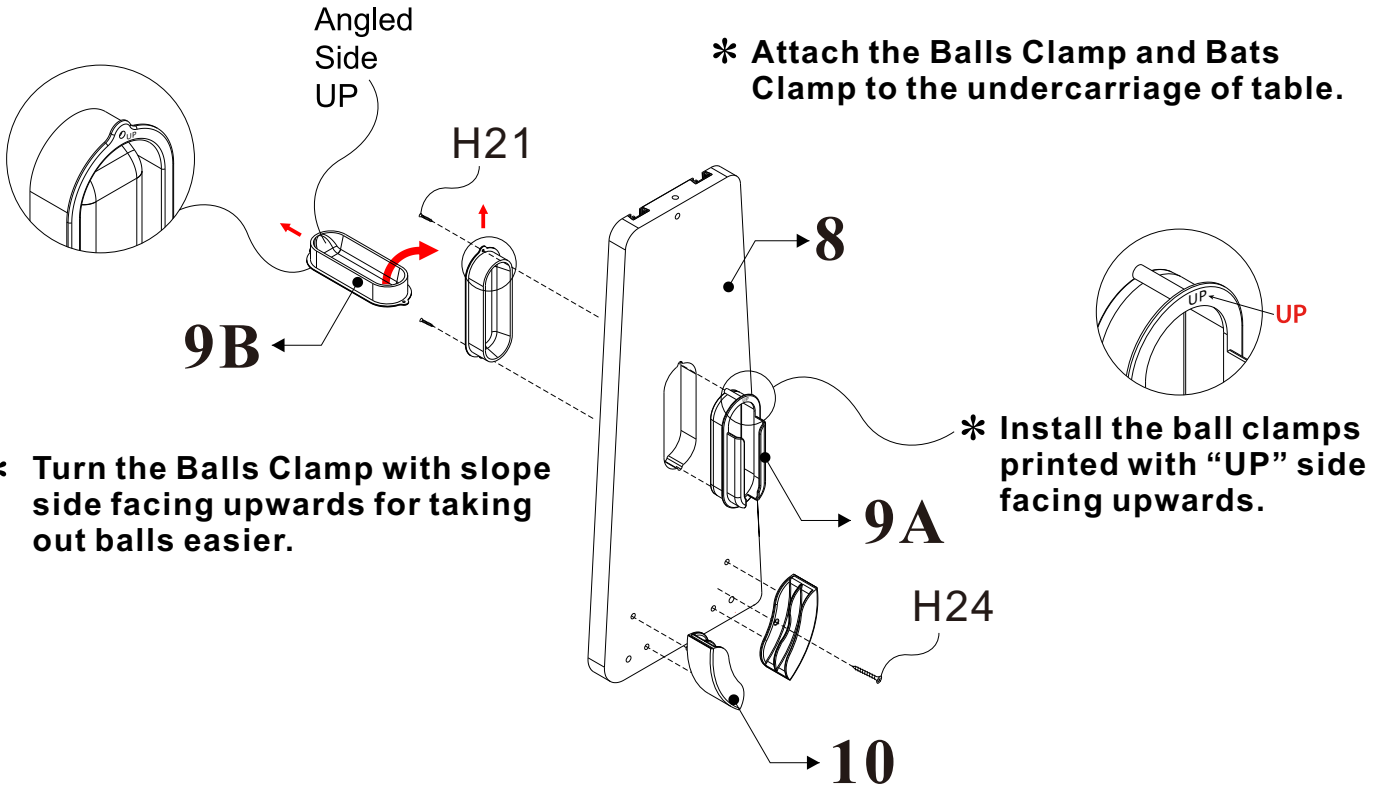
1/8"x5/8"

8 PCS

T5

**X 2**

* Attach the Balls Clamp and Bats Clamp to the undercarriage of table.

**FIG.4**

1/4"x2-3/4"

4 PCS



1/4" ID.

4 PCS



1/4" ID.

4 PCS

T1



T2/T5

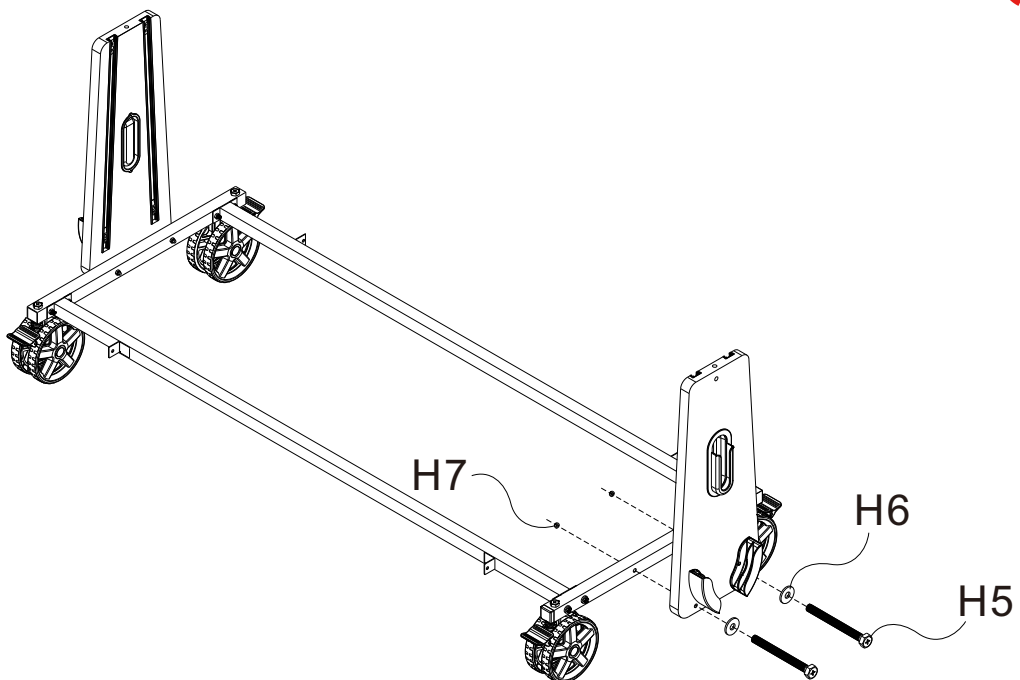









FIG.5

| | | | | | | | | |
|--|-------------|---|---|----------|-------|---|----------|-------|
|  | 1/4"x2-3/4" | 4 PCS |  | 1/4" ID. | 4 PCS |  | 1/4" ID. | 8 PCS |
| T1  | T2/T5 |  |  | | |  | 1/4" ID. | 4 PCS |

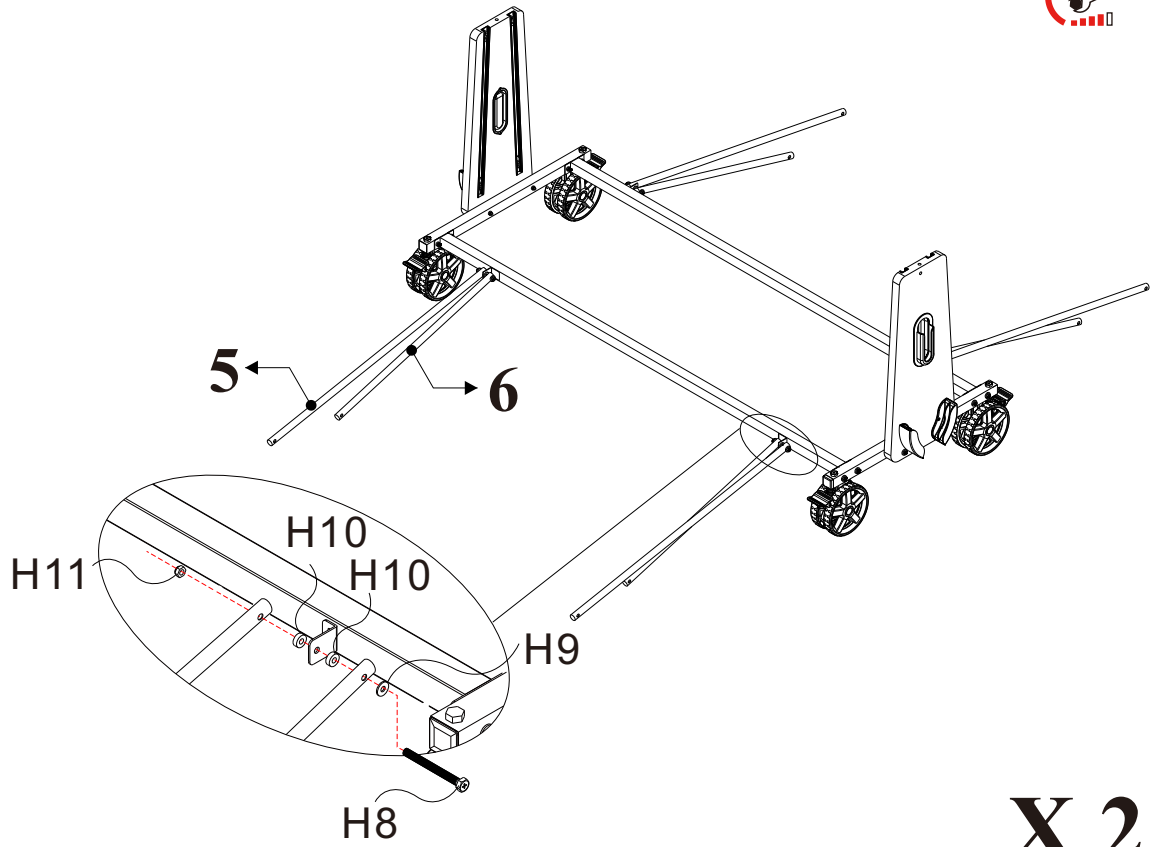
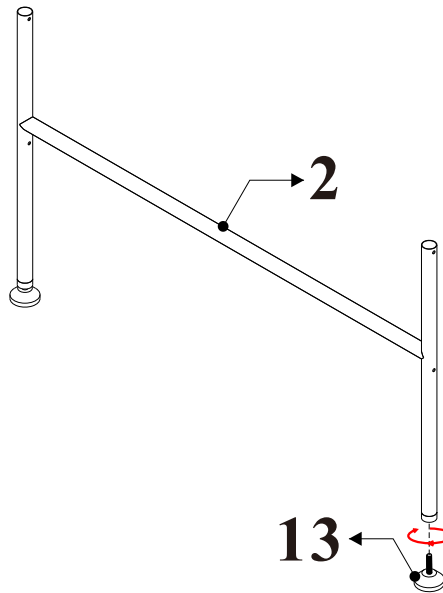






**FIG.6**

FIG.7

| | | | | | | | | |
|---|---|-------|---|---|-------|---|----------|-------|
|  | 1/4"x2" | 4 PCS |  | 1/4" ID. | 8 PCS |  | 1/4" ID. | 4 PCS |
| T1 |  | T2/T5 |  |  | | | | |

X 2

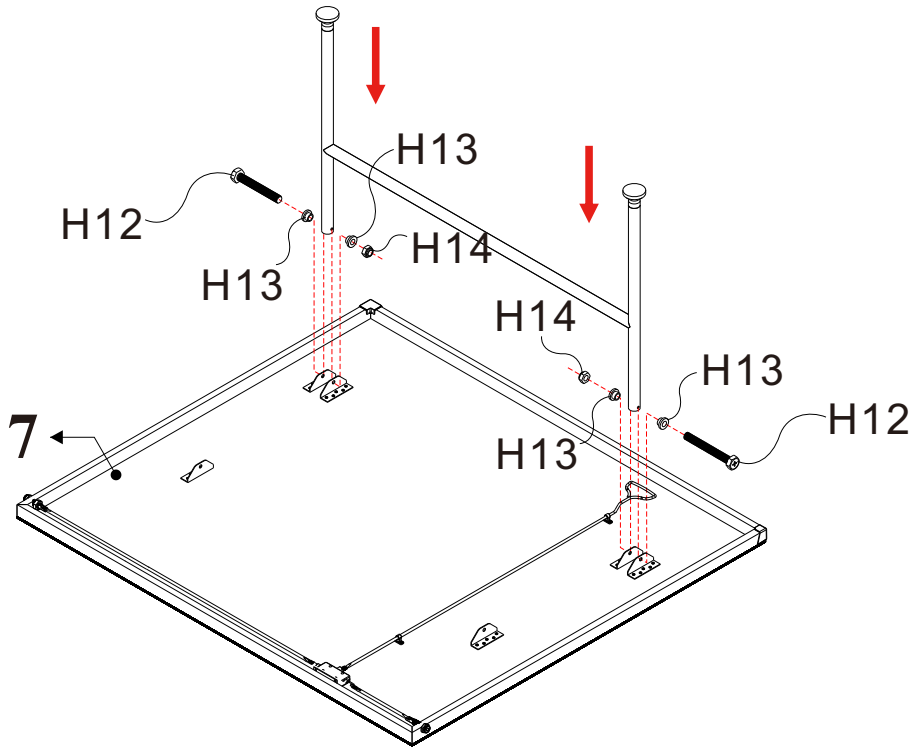


FIG.8



**3 people
3 personas
3 personnes**

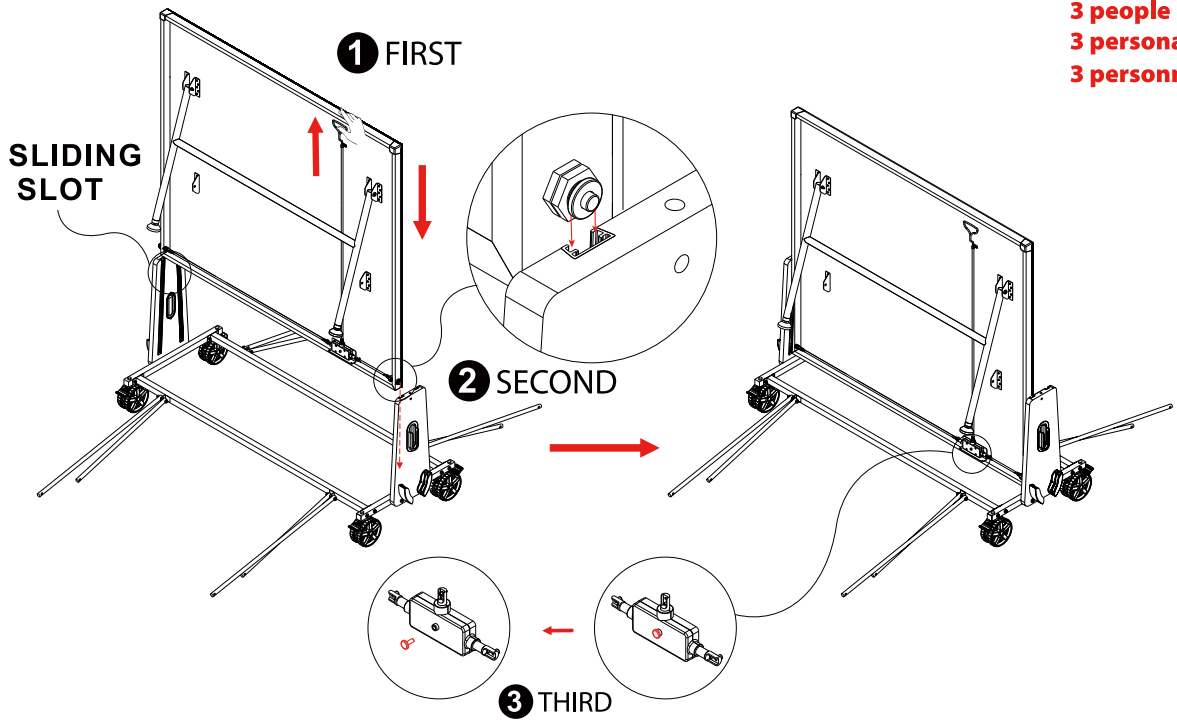










FIG.9

| | | | | | | | | |
|---|--------------|-------|---|----------|-------|---|----------|-------|
|  | 1/4"x1-9/16" | 4 PCS |  | 1/4" ID. | 4 PCS |  | 1/4" ID. | 4 PCS |
| | | | | | |  | 1/4" ID. | 4 PCS |
|  | 1/4"x2-3/4" | 4 PCS |  | 1/4" ID. | 4 PCS |  | 1/4" ID. | 4 PCS |
| | | | | | |  | 1/4" ID. | 4 PCS |

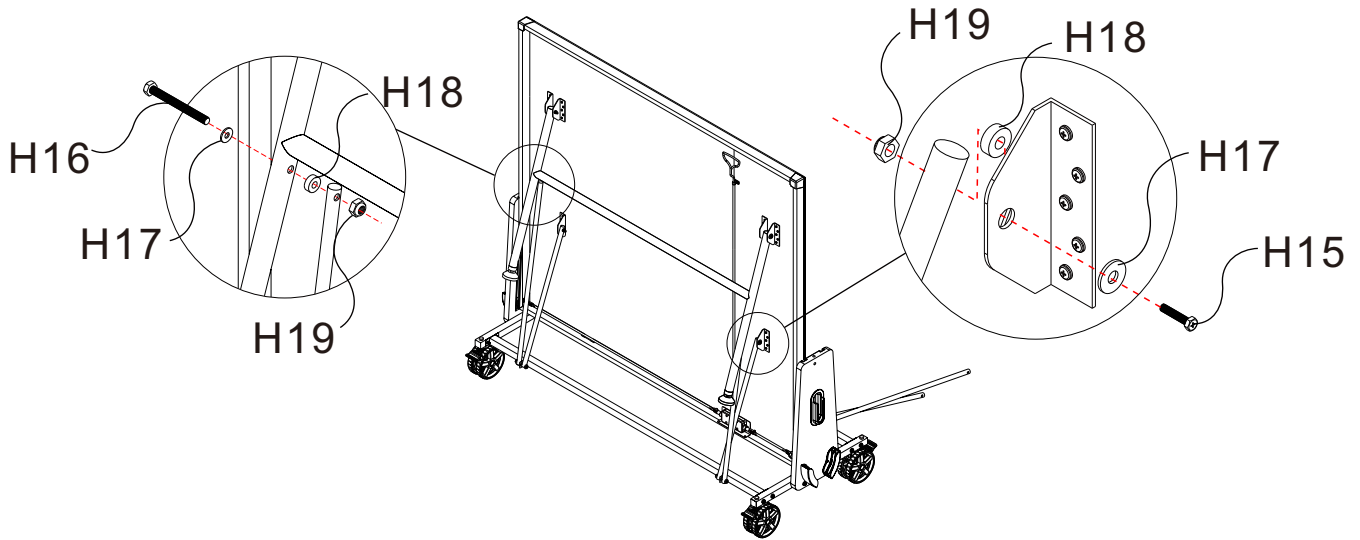
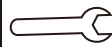
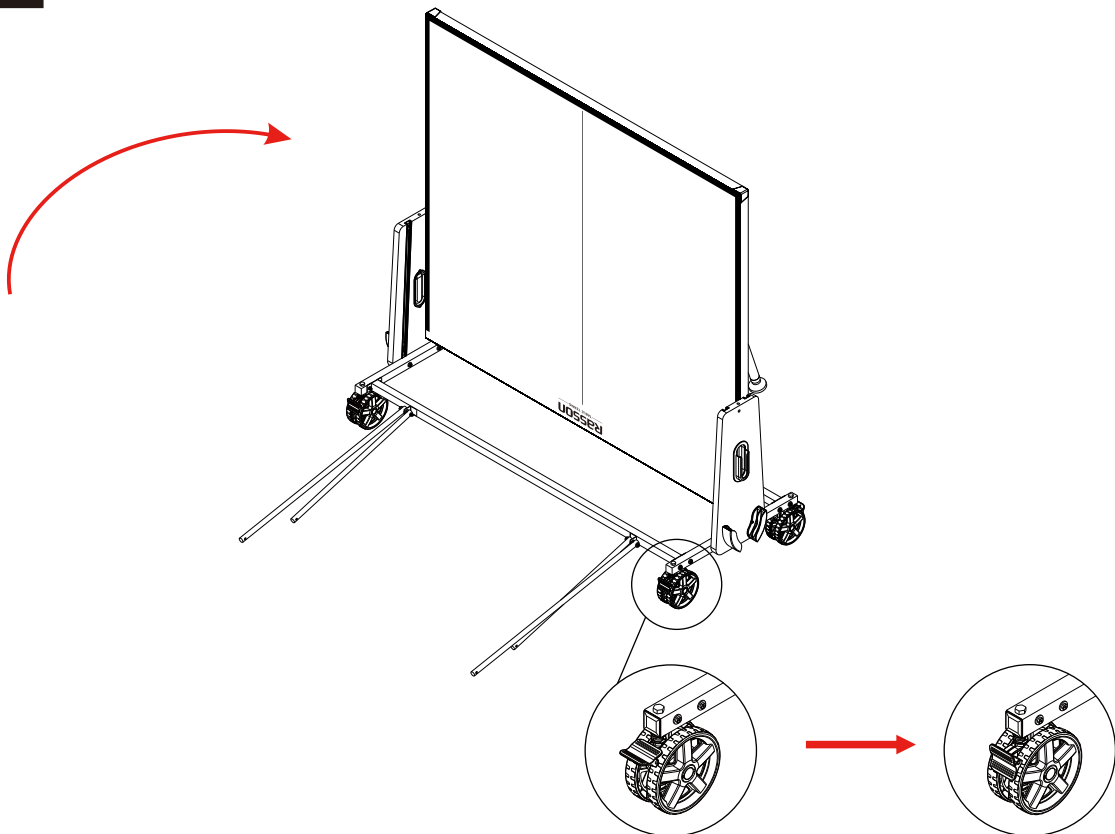
**T1****T2/T5****FIG.10**

FIG.11



3 people
3 personas
3 personnes

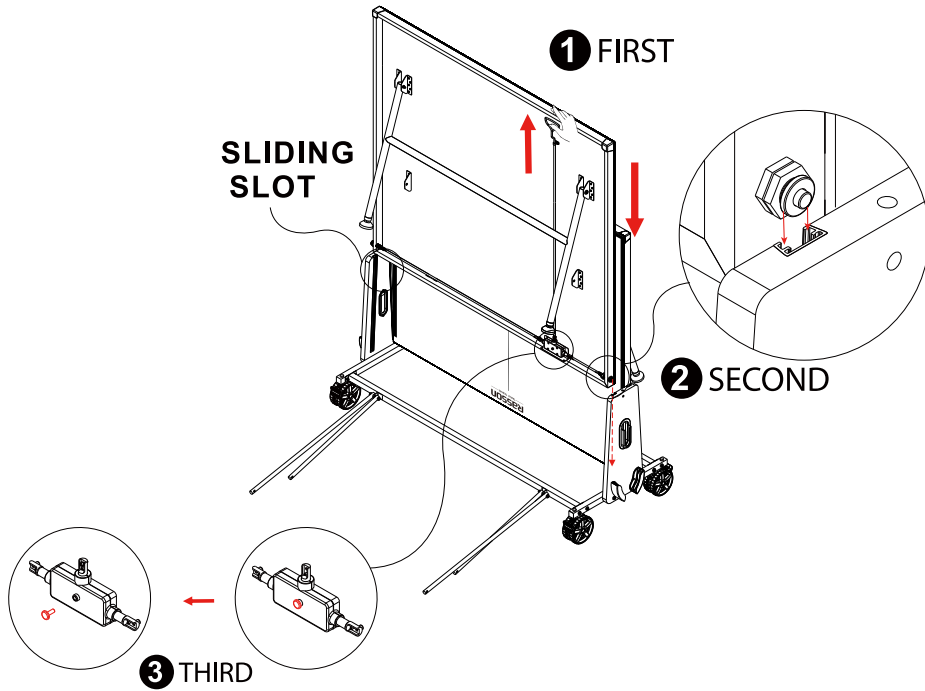


FIG.12

| | | | | | | | | |
|--|--------------|-------|--|----------|-------|--|----------|-------|
| | 1/4"x1-9/16" | 4 PCS | | 1/4" ID. | 4 PCS | | 1/4" ID. | 4 PCS |
| | | | | | | | 1/4" ID. | 4 PCS |
| | 1/4"x2-3/4" | 4 PCS | | 1/4" ID. | 4 PCS | | 1/4" ID. | 4 PCS |
| | | | | | | | 1/4" ID. | 4 PCS |

T1 **T2/T5**

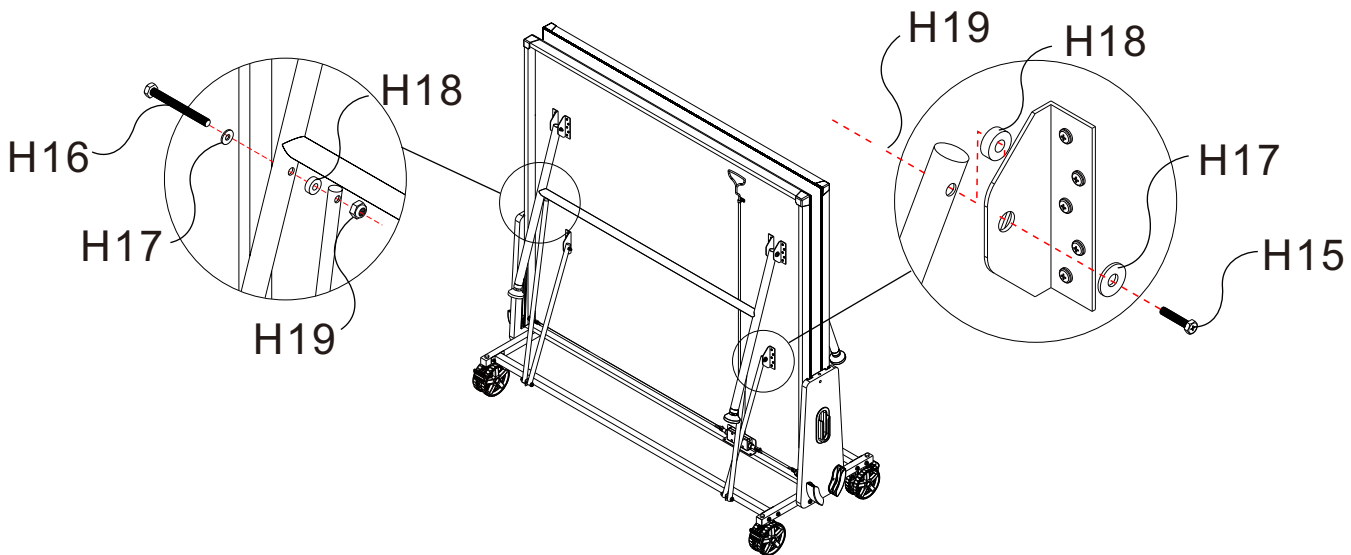


FIG.13

Note:

1. Step on the undercarriage (the horizontal bar attached to the wheels). Grip the tabletop with your left hand.
2. Pull up on the handle with your right hand to release the lock.
3. Unfold the table into the play position. Make sure to lower each table half slowly. Do not drop to avoid damage.

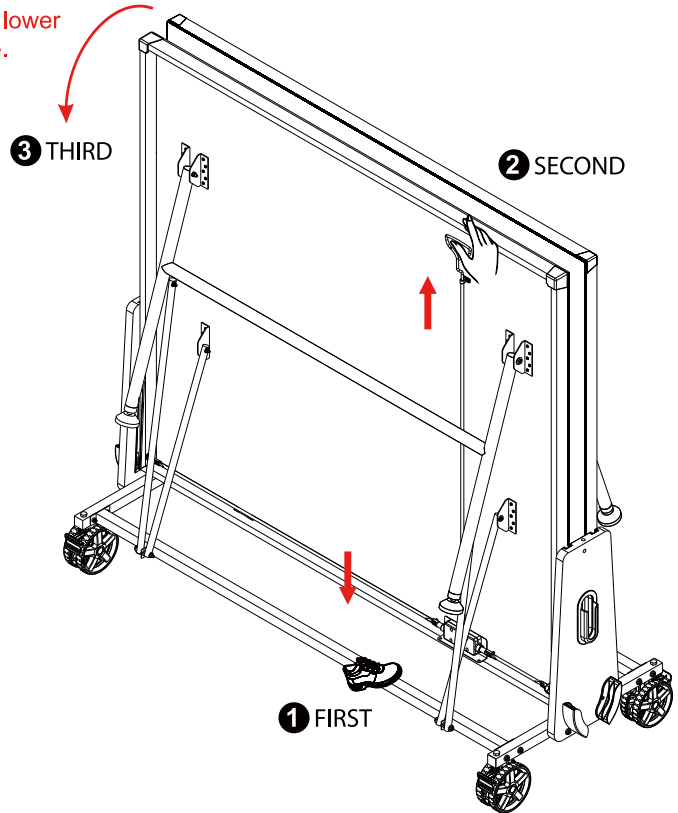
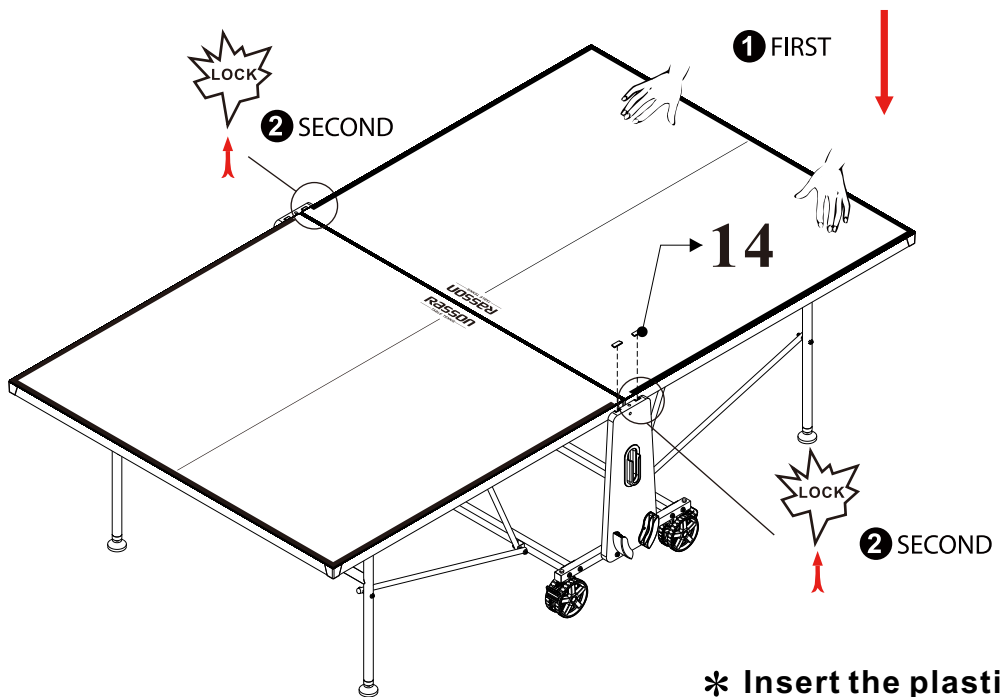






FIG.14



*** Insert the plastic plug of the slide rail.**

FIG.15

| | |
|--|---|
|  | 1/4"x11/16" 4 PCS |
| T1  | T2/T5   |

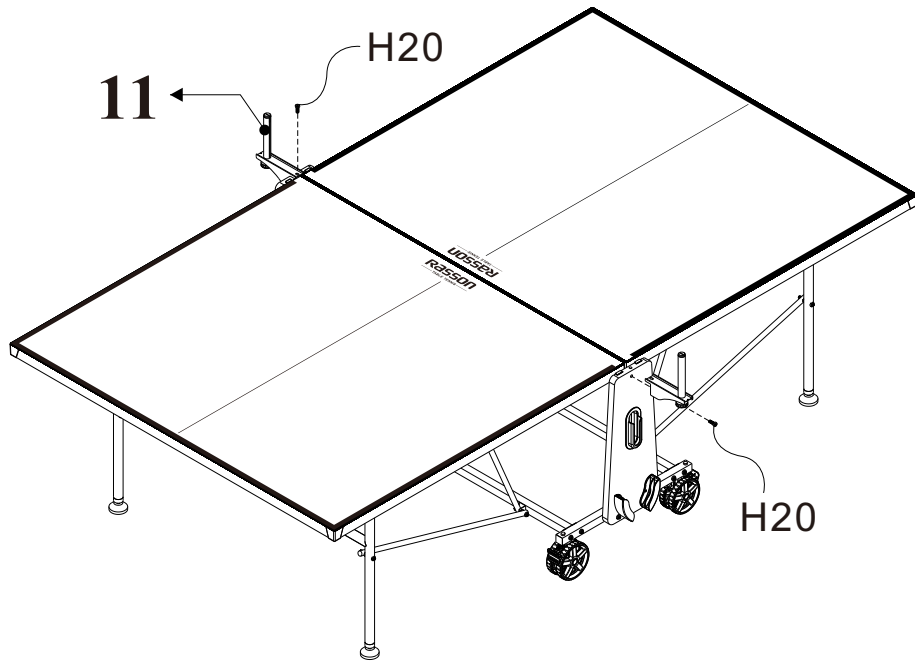


FIG.16

* TAKE OUT THE PINS AND INSERT INTO POST AFTER GETTING THROUGH THE NET.

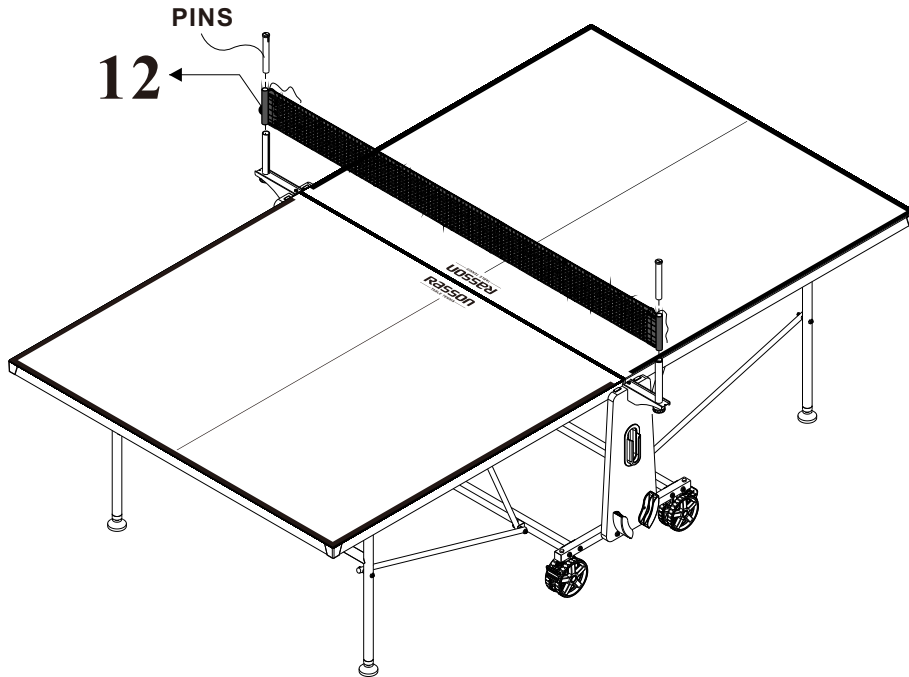


FIG.17

*** SECURE THE CABLES AND BEADS TOGETHER AND ATTACH THEM TO THE SECURING HOLES OF NET CLIP, THEN ADJUST THE NET HEIGHT BY TURNING THE BOTTOM BUTTON.**

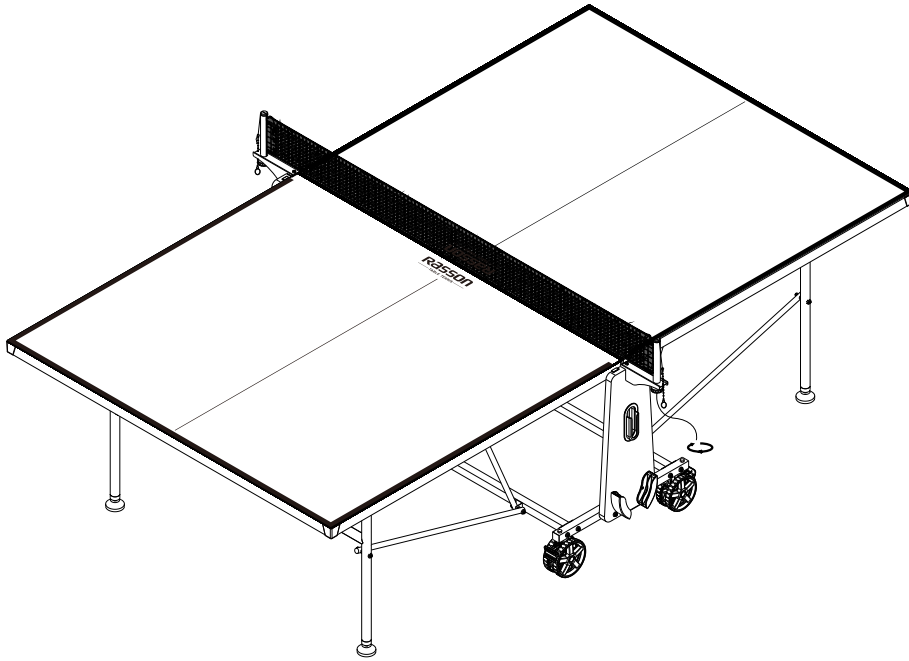
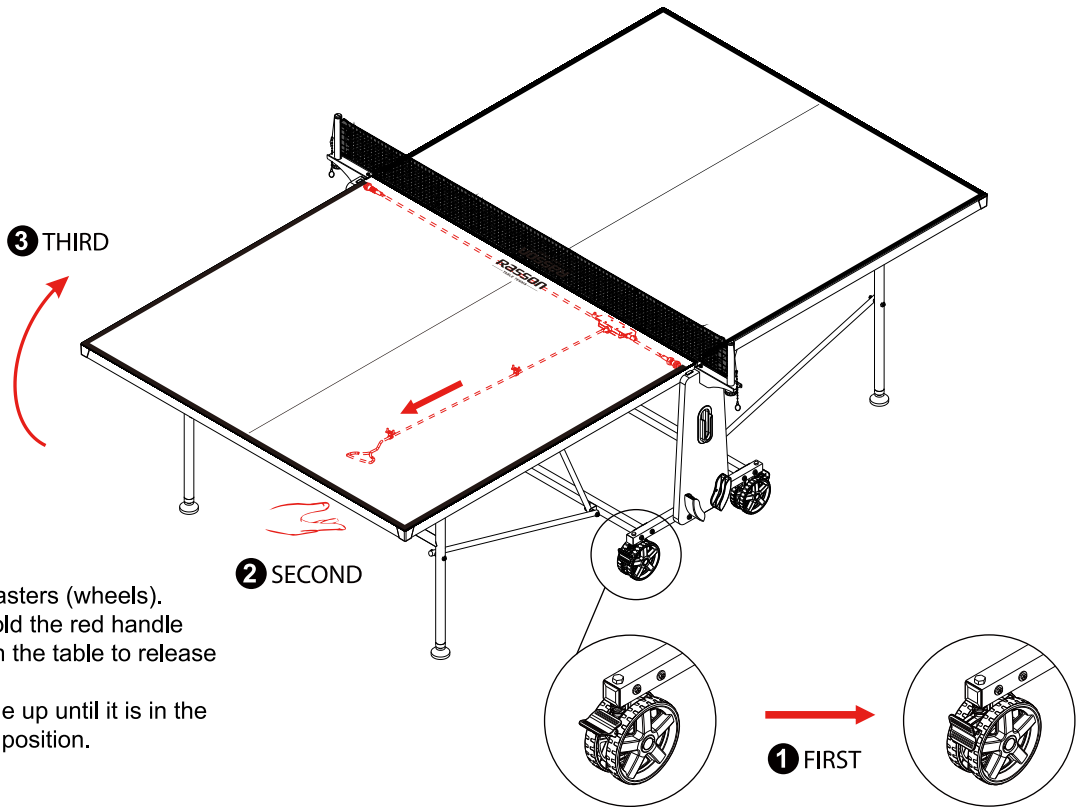


FIG.18



Note:

1. Lock the casters (wheels).
2. Pull and hold the red handle underneath the table to release the lock.
3. Lift the table up until it is in the full upright position.

FINISH

